

1/4" Nylon Tube



Part No.	Tube O.D.	Tube Wall	Working Pressure	Burst Pressure
NB-4-062	1/4"	.062"	500 PSI	2,000 PSI

Quickline – Push-To-Connect Tube Fittings for 1/4" Non-Metalic Tube



244047

Tube to Male Thread Connectors - Straight			
Part No.	Tube O.D.	Thread	Maximum Working Pressure
244047	1/4"	1/8" NPT	250 PSI
244055		1/4"-28	
244057		M6 X 1 –6G Tapered	



244048



244054

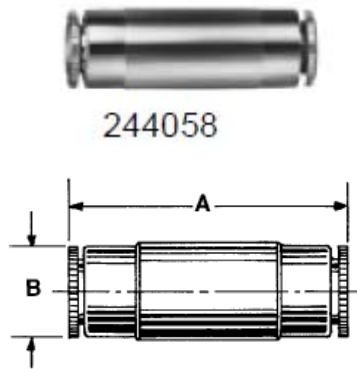
Tube to Male Thread Connectors – 90 Degree Elbow (no swivel)			
Part No.	Tube O.D.	Thread	Maximum Working Pressure
244049	1/4"	1/8" NPT	250 PSI
244054		1/4"-28	
244046		M6 X 1 –6G Tapered	



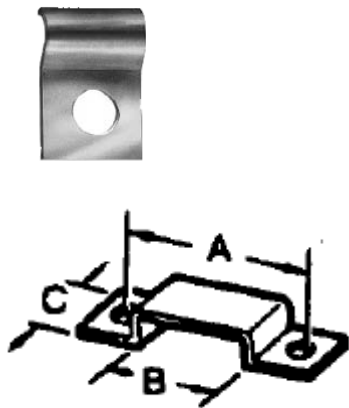
244053

Tube to Male Thread Connectors – 90 Degree Elbow with swivel			
Part No.	Tube O.D.	Thread	Maximum Working Pressure
243699	1/4"	1/8" NPT	250 PSI
244053		1/4"-28	

Quicklinec – Push-To-Connect Tube Fittings for 1/4" Non-Metalic Tube



Tube Union				
Part No.	Tube O.D.	A DIM.	B DIM.	Maximum Working Pressure
244058	1/4"	1.397"	.460"	250 PSI



1/8" Tube Clamps				
Part No.	A	B	C	Number of Tubes
64532-1		1/8"	3/8"	1
64532-2	11/16"	1/4"	3/8"	2
64532-3	13/16"	3/8"	3/8"	3
64532-4	15/16"	1/2"	3/8"	4